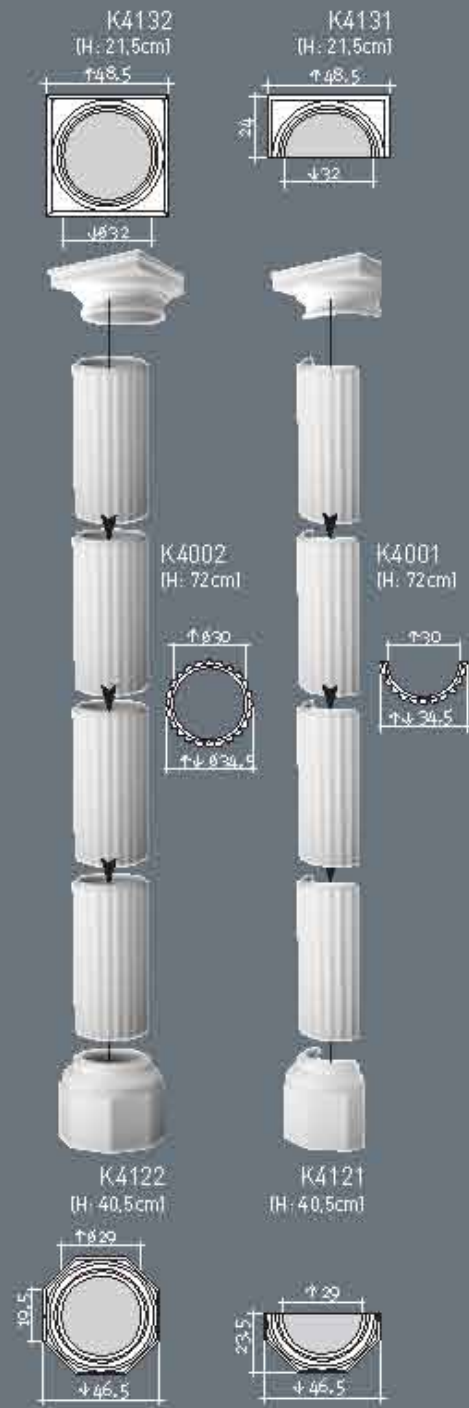






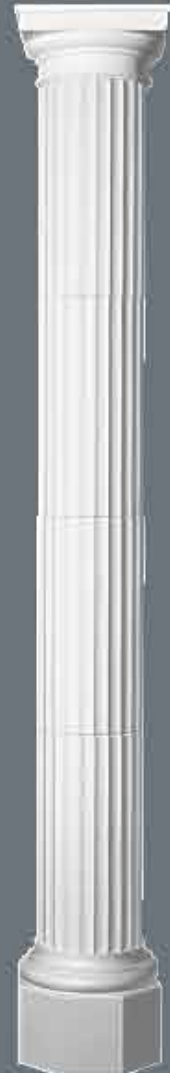
XL-gesegmenteerde zuil  
XL-colonne segmentée



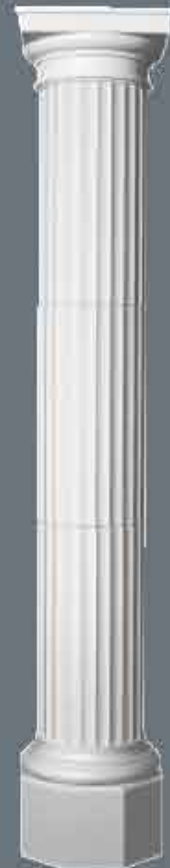
5 x K4002  
+ K4132 + K4122  
= 4,09 m



4 x K4002  
+ K4132 + K4122  
= 3,39 m

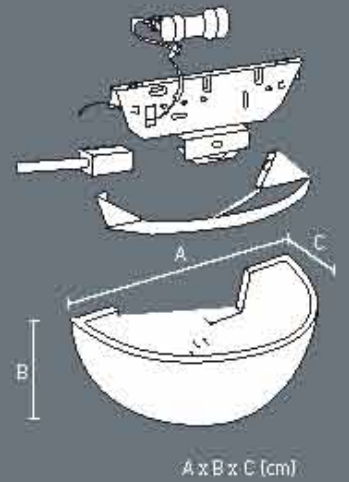
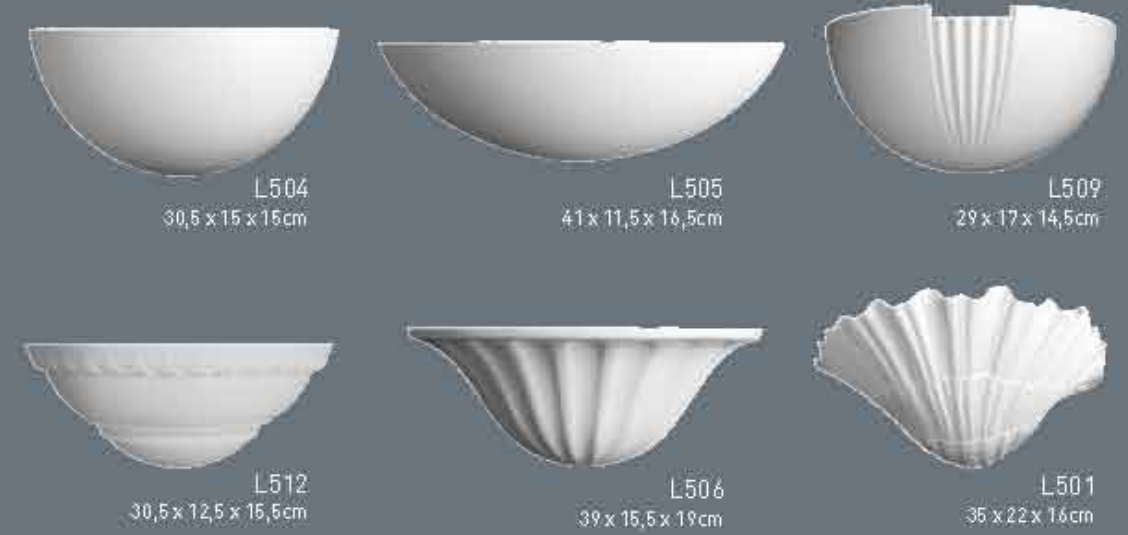


3 x K4002  
+ K4132 + K4122  
= 2,69 m



ZUILEN  
COLONNES

wandlampen  
appliques



VERLICHTING  
ÉCLAIRAGE



L506

L501

L504